

IN THE UNITED STATES PATENT AND TRADEMARK OFFICE

U.S. PATENT APPLICATION

FOR:

WEARABLE ZIP WALLET

INVENTOR:

Paul M. Jay

Morgan & Finnegan L.L.P.
3 World Financial Center
New York, NY 10281-2101
(212) 415-8700 (Telephone)
(212) 415-8701 (Facsimile)

1775 Eye Street, N.W., Suite 400
Washington D.C., 20006
(202) 857-7887 (Telephone)
(202) 857-7929 (Facsimile)

Attorneys For Applicant

IN THE UNITED STATES PATENT AND TRADEMARK OFFICE

U.S. PATENT APPLICATION

FOR:

WEARABLE ZIP WALLET

INVENTOR:

Paul M. Jay

Morgan & Finnegan L.L.P.
3 World Financial Center
New York, NY 10281-2101
(212) 415-8700 (Telephone)
(212) 415-8701 (Facsimile)

1775 Eye Street, N.W., Suite 400
Washington D.C., 20006
(202) 857-7887 (Telephone)
(202) 857-7929 (Facsimile)

Attorneys For Applicant

WEARABLE ZIP WALLET

FIELD OF THE INVENTION

[0001] The present invention relates generally to a personal wearable zip wallet apparatus used for organizing commonly carried items such as a cell phone, electronics, keys and any other personal items needed and, more particularly, to such a zip wallet that can be adapted for use by an individual wherein the zip wallet's contents may be accessed with one hand.

BACKGROUND

[0002] Various personal carrying units have been utilized throughout history. With each technological advance, individuals are choosing to carry more personal effects on their person as they view them as necessities. Individuals have always sought ways to hold the various items that are now required in one's daily life (i.e., keys, cash, cell phone, credit cards, driver's license, employee identification card as well as any other personal effects) that they wish to have easy access to as the need arises (hereinafter, "necessary items").

[0003] All of the present manners and methods of carrying these necessary items lacks a practical way of carrying them all in one case so that they are easily accessed and not separated. Current options include placing the different items in different pockets of one's clothing. For those using a wallet, it is often placed in their back pocket containing legal tender as well as cards while their cell phone and their keys are placed somewhere else on their person. Those choosing to carry a handbag may, depending on its size, hold much of what is needed, including a purse.

[0004] Other attempts at a solution include: a pair of cargo pants with multiple pockets, a fanny pack, a belt clip for a cell phone, a chain-wallet and a shoulder bag, all of which have clear disadvantages. Cargo pants separate the necessary items into different locations, leading to a hunt through pockets when a key or other carried item is desired. Cargo pants may also be impractical in all social settings and climate environments. The fanny pack may hold many of the necessary items, but looks bulky and unfashionable, and further needs two hands to access the contents. Belt clips for cell phones are ill-designed to carry items other than a cell phone. Additionally, a chain-wallet must first be removed from a pocket before its contents may be accessed. A chain-wallet may also only carry those items which fit within the billfold when closed which ultimately must fit in the user's pocket.

[0005] Shoulder bags may also contain many of the necessary items, but they essentially function the same as a woman's handbag. One major disadvantage of shoulder bags is that the shoulder bag is easily separated from the person, e.g., someone may accidentally leave it behind. Another problem with shoulder bags and hand bags is that they require two hands to access the necessary items contained therein. Further, any items placed in their interior are not organized and they may move freely and may ultimately find themselves at the bottom of the bag being scratched by the other items therein. As such the bag, as a carrier, necessitates the use of a sub-carrier, such as a compartmentalized purse, otherwise none of the necessary and unnecessary items would remain separated such as keys, cell phones and personal care products. The ensuing contact between the items may lead to both aesthetic and structural damage to the bag and the items therein.

[0006] Further, Scotsmen used to carry such necessary items in a sporran which hung in the front of a kilt. In the age of cell phones, pagers, hand-held computers and i-Pods™, the design of a carrier must be updated, since society's necessary items have also changed.

[0007] Prior to this invention, the only way to transport all necessary items in one carrier was with a hand bag, a shoulder bag or a fanny pack. All of these have disadvantages, as does the folding wallet or chain-wallet that usually is slipped into the back pocket of a man's trousers. The folding wallet only carries flat necessary items, such as credit cards and legal tender without carrying capabilities for relatively bulky necessary items, i.e., keys on a key-ring and a cell phone or the like. Sitting on a wallet may also cause sciatica, and carrying a heavy bag may also cause physical injury. Also the repetitive placement of a rigid item in a pocket may either stretch or cause expedited wear to that article of clothing. Placing keys, or the like, with jagged sharp ends may also cause unnatural wear on a garment.

[0008] OBJECTS AND ADVANTAGES

[0009] Several objects and advantages of the present invention include, for example: all necessary items are easily accessible with one hand and necessary items are in one organized area, thereby preventing them from being scattered in the course of a day. By maintaining all of the necessary items together, this further eliminates time wasted in the search of an item. Further, the individual's clothing pockets are empty which enables the placement of unnecessary items in them, such as receipts, and the like. Further, individuals with disabilities who may have limited mobility due to crutches, a wheelchair or the like may easily access the contents of the present invention using only one hand.

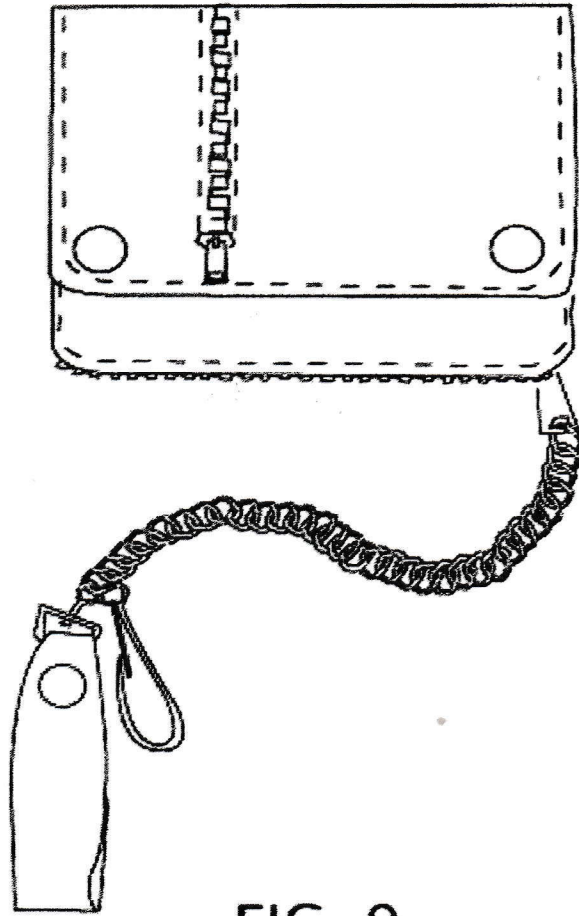


FIG. 9

[0010] These and other deficiencies were solved by providing a wearable personal carrier for necessary items.

SUMMARY

[0011] Various embodiments are provided herein which address among other things a wallet having at least two surfaces defining an internal compartment, a zipper movably connecting one of the at least two surfaces to another of the at least two surfaces, the zipper being movable between a first position and a second position such that, when the zipper is in the first position, the wallet will be closed and will hang from the first and second articles, and when the zipper is in the second position, the wallet will be open and the zipper will be in a position rotated by an angular amount from its hanging position such that the zipper will be in a substantially horizontal position, and so forth.

[0012] In accordance with an embodiment, opening a wearable zip wallet with one hand by gripping a corner above a rigidly affixed zipper, pulling the corner in a longitudinal direction moving the zipper from a closed position to an open position, and rotating the wallet an angular amount such that the wallet will hang in a substantially horizontal position.

BRIEF DESCRIPTION OF THE DRAWINGS

[0013] In the drawings, like reference numbers generally indicate identical, functionally similar, and/or structurally similar elements. The various exemplary embodiments will be described with reference to the accompanying drawings, wherein:

[0014] FIG. 1 is a perspective frontal view of an exemplary zip wallet in a closed position fastened to a belt in accordance with an embodiment oriented in a vertical position;

[0015] FIG. 2 is a perspective rear view of the zip wallet of FIG. 1;

[0016] FIG. 3 is a sectional view of the interior of a zip wallet in accordance with an embodiment;

[0017] FIG. 4 is a top perspective view of the zip wallet fastened to a belt in accordance with an embodiment;

[0018] FIG. 5 is a perspective frontal view of the zip wallet in an open position fastened to a belt in accordance with an embodiment;

[0019] FIG. 6 is a perspective frontal view of the zip wallet in an open position fastened to a belt loop and a belt in accordance with another embodiment;

[0020] FIG. 7 is a sectional view of the zip wallet in an open position in accordance with an embodiment;

[0021] FIG. 8 is a perspective frontal view of the zip wallet with the zipper in a first position overlaid with the zipper in a second position with corresponding reference A; and

[0022] FIG. 9 is a perspective frontal view of a chain-wallet.

DETAILED DESCRIPTION OF THE VARIOUS EMBODIMENTS

[0023] FIG. 9 is a perspective frontal view of a chain-wallet which is typically fastened to a belt, belt loop or the like via the clip wherein the attached wallet is placed in the wearer's pocket. Further, a user of a chain-wallet must remove the wallet from his pocket to access its contents. Some chain-wallets also have zippers, but the contents to be placed therein remain limited to those items which enable the entire wallet to be placed within the user's pocket.

[0016] FIG. 3 is a sectional view of the interior of a zip wallet in accordance with an embodiment;

[0017] FIG. 4 is a top perspective view of the zip wallet fastened to a belt in accordance with an embodiment;

[0018] FIG. 5 is a perspective frontal view of the zip wallet in an open position fastened to a belt in accordance with an embodiment;

[0019] FIG. 6 is a perspective frontal view of the zip wallet in an open position fastened to a belt loop and a belt in accordance with another embodiment;

[0020] FIG. 7 is a sectional view of the zip wallet in an open position in accordance with an embodiment;

[0021] FIG. 8 is a perspective frontal view of the zip wallet with the zipper in a first position overlaid with the zipper in a second position with corresponding reference A; and

[0022] FIG. 9 is a perspective frontal view of a chain-wallet.

DETAILED DESCRIPTION OF THE VARIOUS EMBODIMENTS

[0023] FIG. 9 is a perspective frontal view of a chain-wallet which is typically fastened to a belt, belt loop or the like via the clip wherein the attached wallet is placed in the wearer's pocket. Further, a user of a chain-wallet must remove the wallet from his pocket to access its contents. Some chain-wallets also have zippers, but the contents to be placed therein remain limited to those items which enable the entire wallet to be placed within the user's pocket.

horizontal orientation, a user applies a force on optional loop 130 or the corresponding corner towards loop 125 where the fasteners 115a and 115b to thus create resistance causing the zipper slide 135 to separate the zipper track 140 enabling the individual to access the contents of the zip wallet 102. To cause the zip wallet 102 to rotate to a substantially vertical orientation, a user applies force in a downward direction at corner 160 to create resistance causing the zipper slide 135 to join the zipper track 140.

[0025] FIG. 2 is a perspective rear view of the zip wallet apparatus 200 without the optional connectors 115a, 115b or belt 110. The zip wallet posterior 230 remains substantially directed towards the wearer while in both the horizontal and vertical orientations.

[0026] FIG. 3 is a sectional view of one configuration, for example, of the interior compartments of the zip wallet apparatus 300. In this embodiment, the interior of the zip wallet apparatus 330 is substantially divided into one or more sections, having, for example, two dividing sections 310a, 310b. The dividing flap 310a, 310b may be utilized to separate a cell phone, keys, legal tender notes, credit cards while maintaining an organizational scheme for quick access to any personal contents contained therein. Card sleeves 320a, 320b may further be implemented as an option to separate and organize credit, bank, public transportation or business cards.

[0027] FIG. 4 is a top perspective of the zip wallet apparatus 400. In this embodiment, the D-ring 120 and the zipper slide 135 are fastened to the belt 110 via carabineers 115a, 115b, respectively. In this embodiment, when the zip wallet 102 is in a partially opened horizontal orientation it allows a user to access his necessary items such as a cell phone 410 and keys 420.

[0028] FIG. 5 is a perspective frontal view of the zip wallet apparatus 500 in a partially opened substantially horizontal orientation. In this example, the zip wallet 102 is fastened to the belt 110 via an intervening D-ring 520. Further, the belt 110 is fed through belt loops 510a, 510b to maintain the position of the zip wallet 102 in relation to a user's waist.

[0029] FIG. 6 is a perspective frontal view of the zip wallet apparatus 600 in a partially opened substantially horizontal orientation. In this example, an alternative method of fastening the zip wallet 102 is via the loop 125, D-ring 120, carabineer 115a and belt loop 510a.

[0030] FIG. 7 is a sectional view of the zip wallet apparatus 700 in an open position containing exemplary personal items in accordance with one embodiment. The two bottom halves 740a, 740b of the zip wallet 102 are generally attached, but are shown separated to assist in viewing an organization embodiment of the interior regions 310a, 310b. Further, in this embodiment, substantially flat items are organized on the division closest to the user on the right half interior region 310b since this example is made for a right-handed user. Exemplary items include legal tender notes 760 and credit, bank, business and/or public transportation cards 750 which will not fall out, even if the wallet is left open. Legal tender 760, and the like, should be folded widthwise and tucked under the flap 310a to further secure it. A user may access the legal tender notes 760, cards 750, pens, cell phone 410, keys 420, etc., contained in the zip wallet using one hand even when secured by a seat belt or in a wheelchair. Such organizational division of substantially planar items and non-planar items allows the zip wallet 700 to lay flat against the user's side. Likewise, other configurations are possible depending on the user's location preference. Substantially non-planar items such as a cell phone 410, keys 420, a pen

720 or the like, are organized on the division furthest from the user. In this embodiment, this is on the left half interior region 310a.

[0031] FIG. 8 is a frontal perspective view of the zip wallet apparatus 800 in a substantially vertical orientation overlaid in a substantially horizontal orientation. Reference numeral A refers to the same corresponding corner of the zip wallet 102 in both the vertical and horizontal orientations. When the zip wallet 102 is in a substantially horizontal position, the degree (represented by θ) may vary substantially. Such variance is from $15^\circ < \theta < 45^\circ$ from vertical so as to prevent the contents from falling out.

[0032] While various embodiments of the present invention have been described above, it should be understood that they have been presented by way of example only, and not in limitation. Accordingly, it will be apparent to persons skilled in the relevant art that various changes in form and detail can be made therein without departing from the spirit and scope of the invention. Thus, the breadth and scope of the present invention should not be limited by any of the above-described exemplary embodiments, but should be defined only in accordance with the following claims and their equivalents.

WHAT IS CLAIMED IS:

1. A wallet, comprising:
at least two surfaces defining an internal compartment;
a zipper movably connecting one of the at least two surfaces to another of the at least two surfaces;
a first connector coupled to at least one of the two surfaces configured for attachment to a first article;
a second connector having a first and second end coupled to the zipper by the first end and coupled to a second article;
the zipper being movable between a first position and a second position such that, when the zipper is in the first position, the wallet will be closed and will hang from the first and second articles, and
when the zipper is in the second position, the wallet will be open and the zipper will be in a position rotated by an angular amount from its hanging position such that the zipper will be in a substantially horizontal position.
2. The wallet of claim 1 wherein one of the at least two surfaces is a substantially elastic surface.
3. The wallet of claim 1 wherein one of the at least two surfaces is a substantially rigid surface.
4. The wallet of claim 1, further comprising at least one card sleeve.
5. The wallet of claim 1, further comprising at least one internal surface which at least partially separates the internal compartment into at least two storage sections.

6. The wallet of claim 5, wherein the at least one internal surface separates the internal compartment into substantially equal storage halves.

7. The wallet of claim 5, further comprising at least a second internal surface which at least partially separates the internal compartment into at least three storage sections.

8. The wallet of claim 5 wherein the at least one internal surface separates the internal compartment into vertical storage sections.

9. A method of opening a wearable zip wallet with one hand, comprising:
securing a first connector coupled to the wallet to a first article;
securing a second connector coupled to the wallet to a second article;
gripping a corner above a rigidly affixed zipper;
pulling the corner in a longitudinal direction moving the zipper from a closed position to an open position; and

rotating the wallet an angular amount such that the wallet will hang in a substantially horizontal position.

10. A method of closing a wearable zip wallet with one hand, comprising:
securing a first connector coupled to the wallet to a first article;
securing a second connector coupled to the wallet to a second article;
gripping a corner below a rigidly affixed zipper;
pulling the corner in a longitudinal direction moving the zipper from an open

angular amount such that the wallet will hang in a

ABSTRACT OF THE DISCLOSURE

[0033] A wallet having at least two surfaces defining an internal compartment, a zipper movably connecting one of the at least two surfaces to another of the at least two surfaces, the zipper being movable between a first position and a second position such that, when the zipper is in the first position, the wallet will be closed and will hang, and when the zipper is in the second position, the wallet will be open and the zipper will be in a position rotated by an angular amount from its hanging position such that the zipper will be in a substantially horizontal position.

100

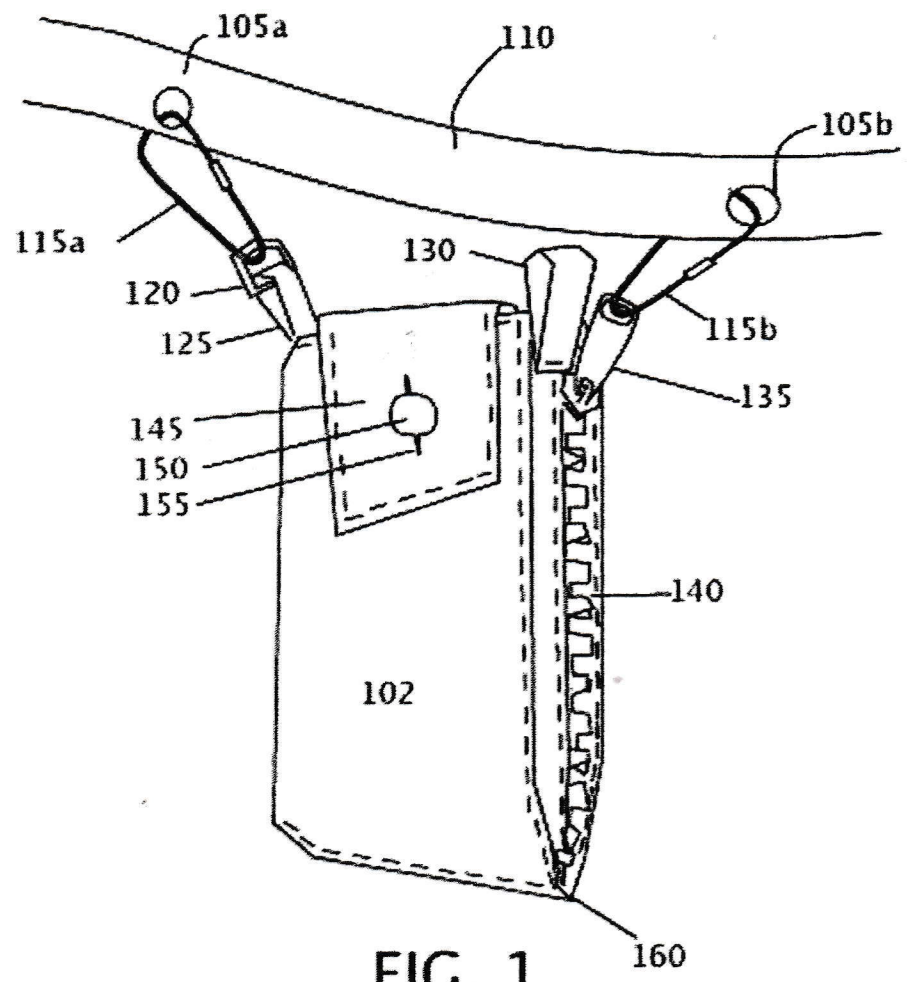


FIG. 1

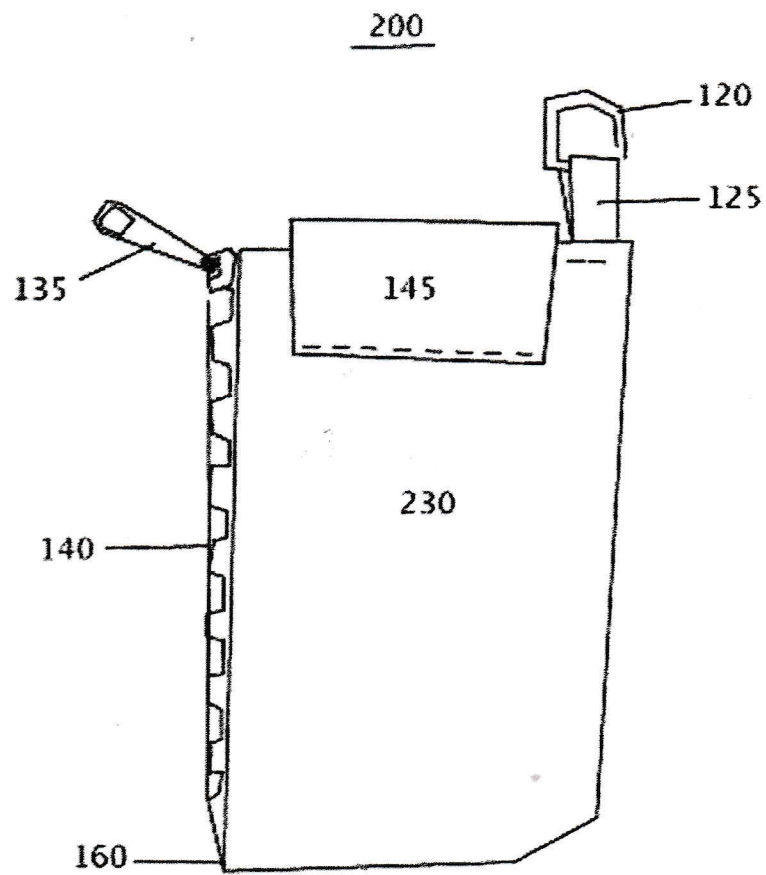


FIG.2

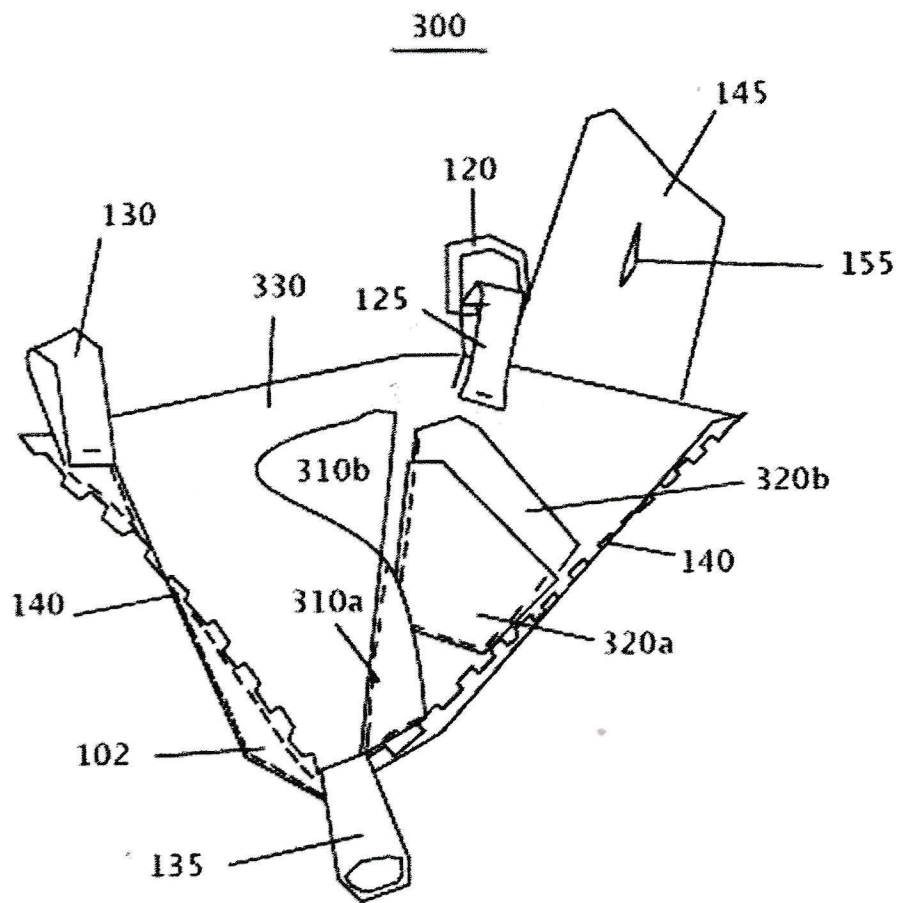
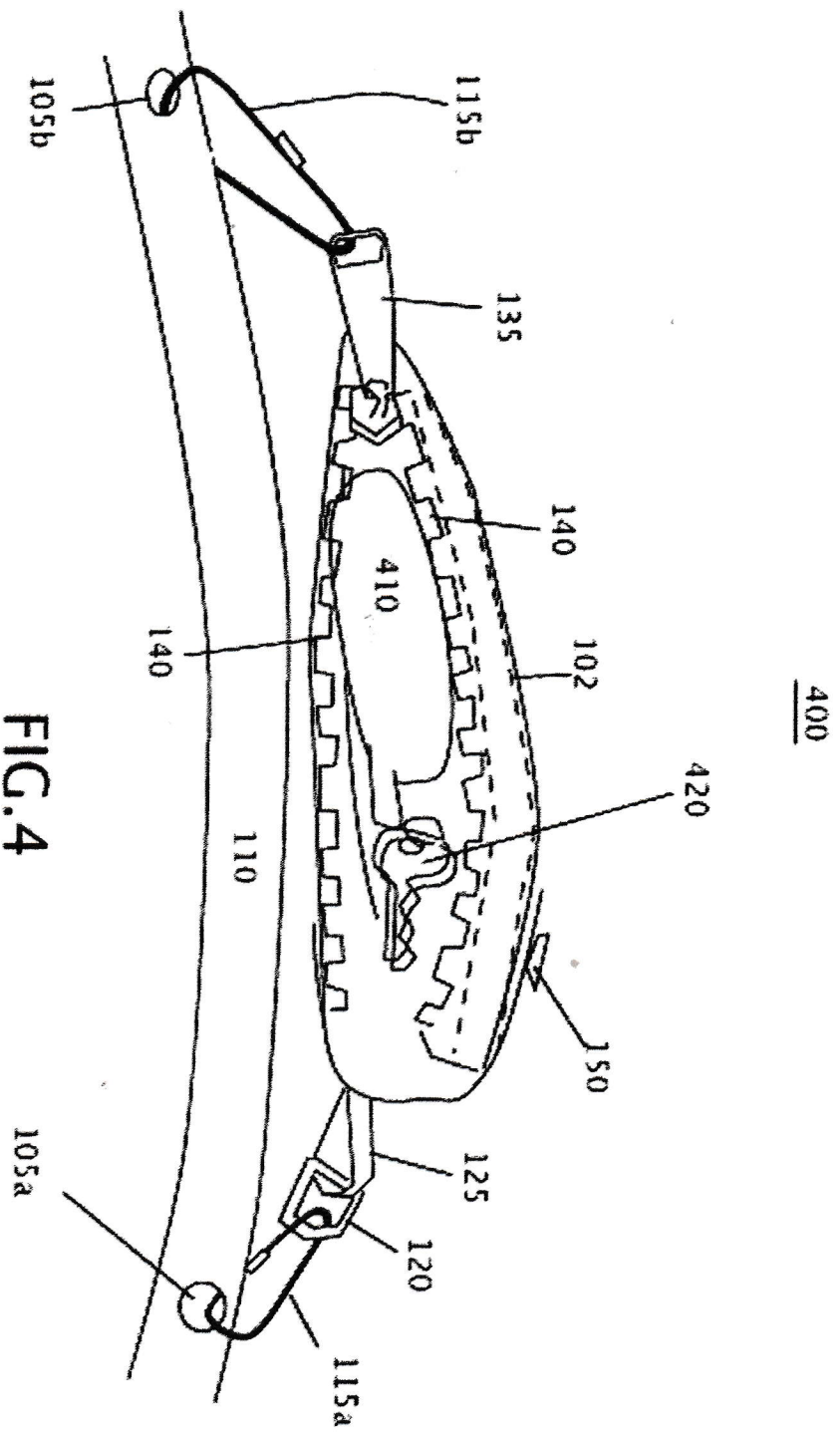


FIG. 3



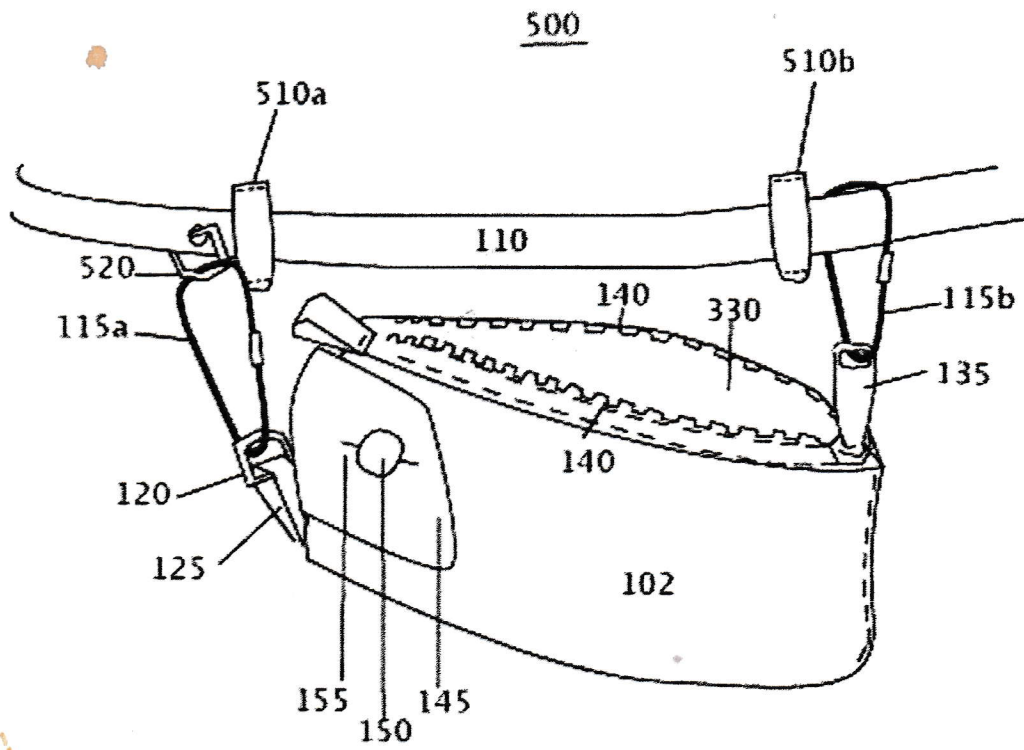


FIG.5

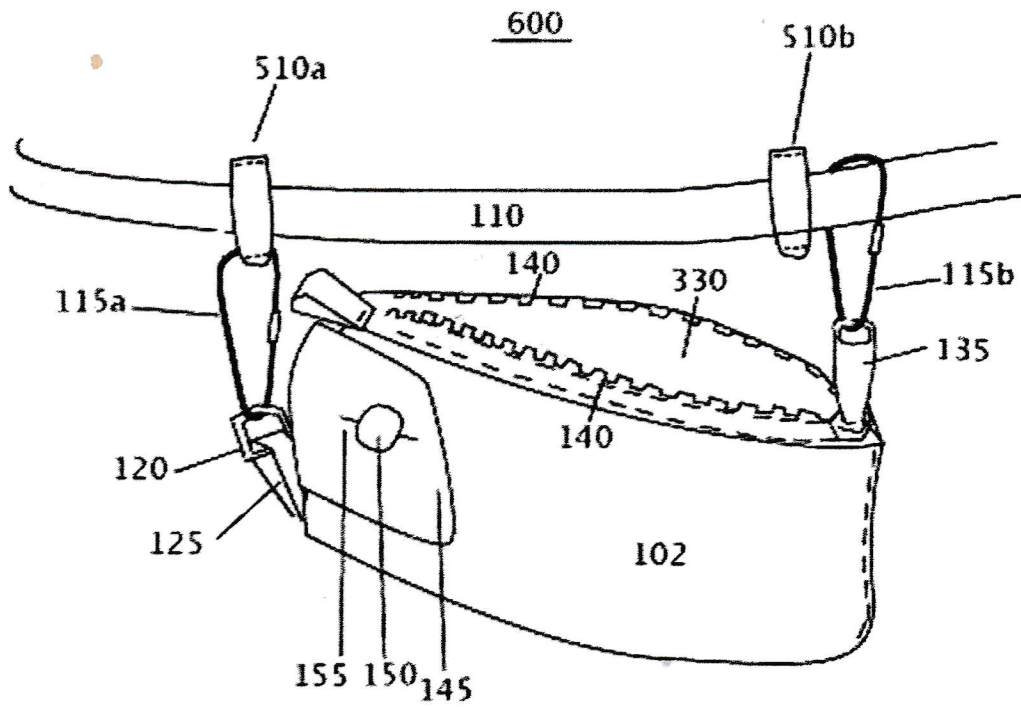


FIG.6

700

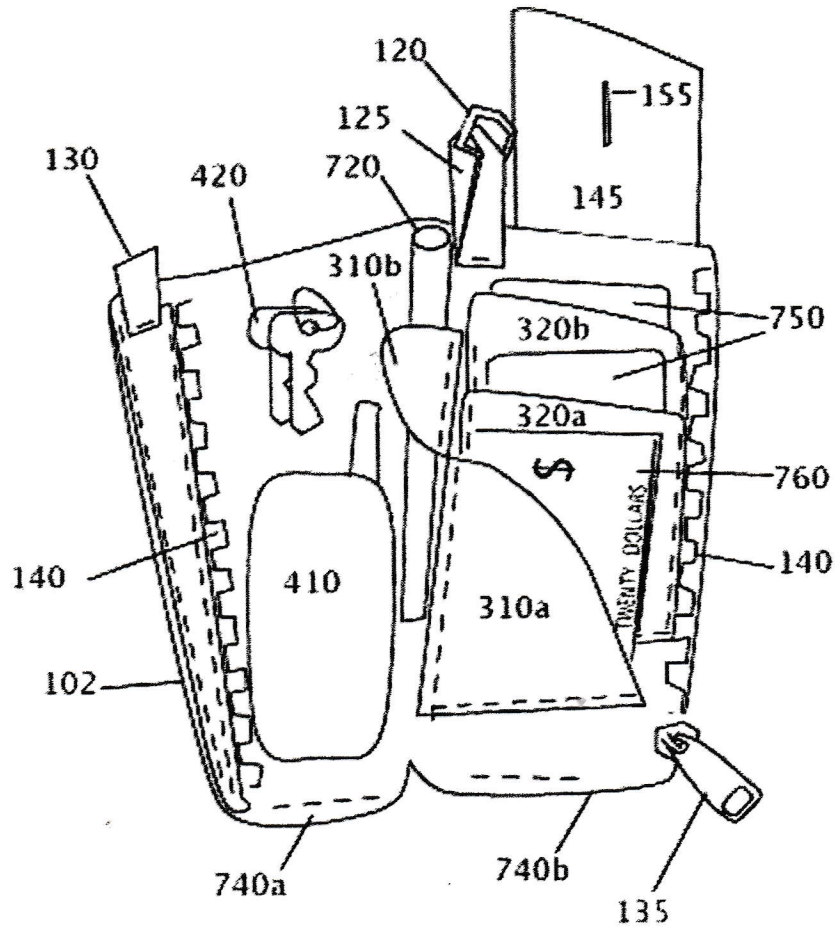


FIG.7

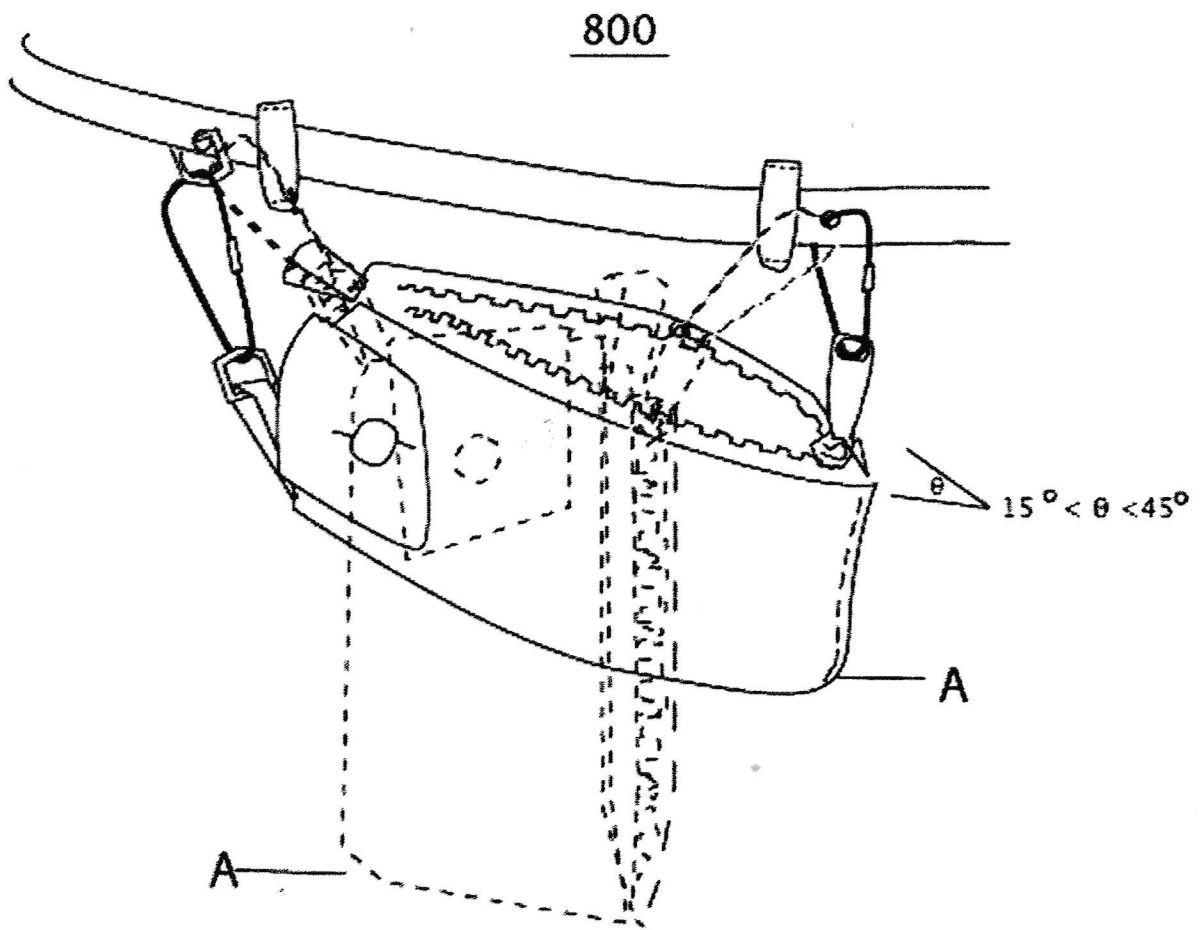


Fig.8